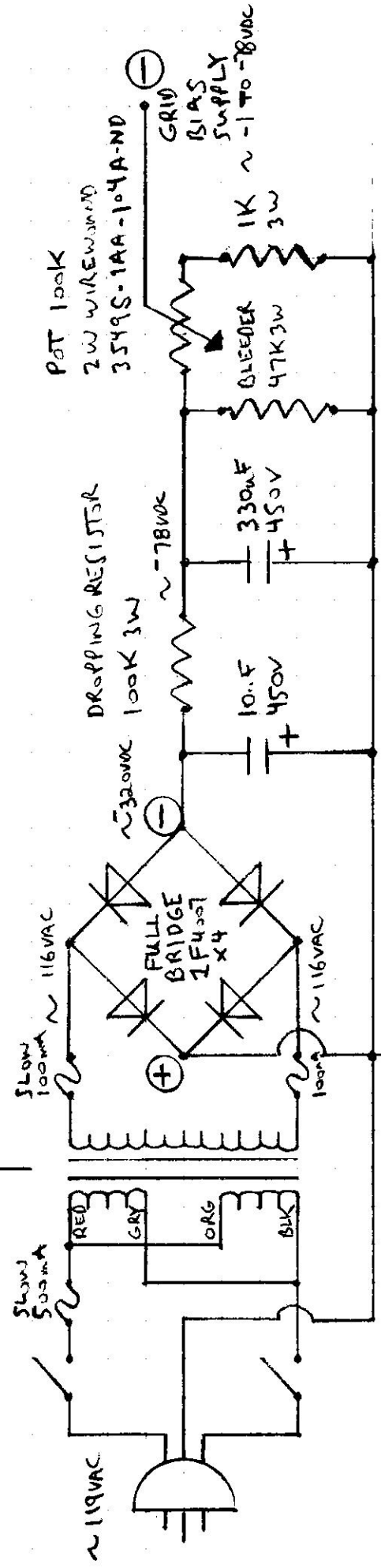


R-CORE TRANSFORMER  
 PRI: 115/230V (UNIVERSAL)  
 SEC: 0-270 68mA (0-100 1mA MINIMUM)



GROUND NOTES

THRU BOLT CHASSIS  
 BRING TO CHASSIS ASAP  
 PLUG GREEN WIRE TO THIS POINT

POWER SUPPLY - GRID BIAS  
 SWITCHABLE FOR BASIC POWER  
 TUBE MATCHING CIRCUIT

DESIGN: VALVES N-MORE  
 DRAWN: JRF.  
 DATE: MARCH 18/21  
 REV: 0